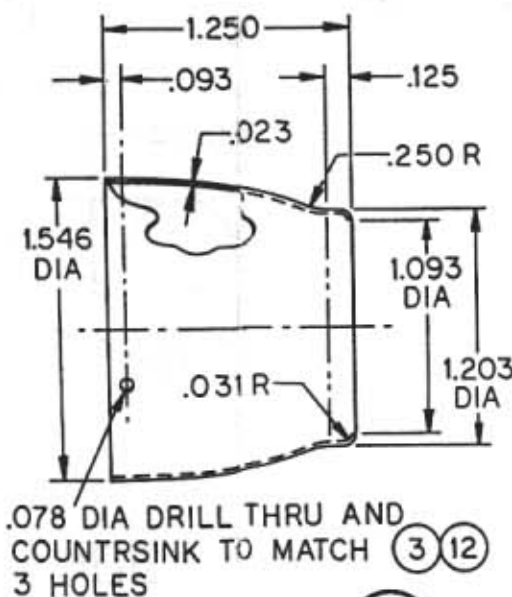
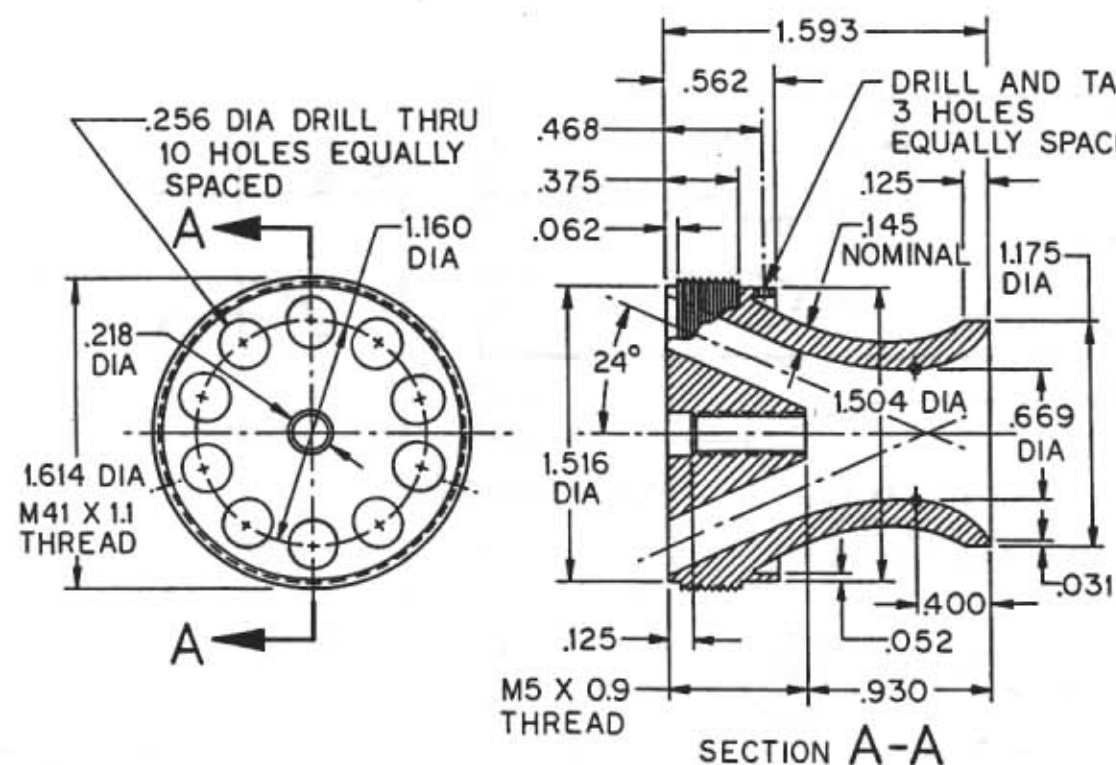
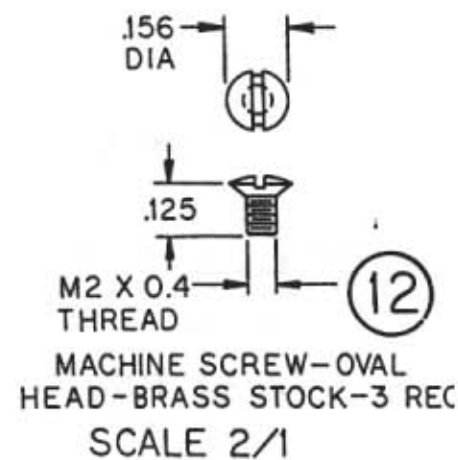
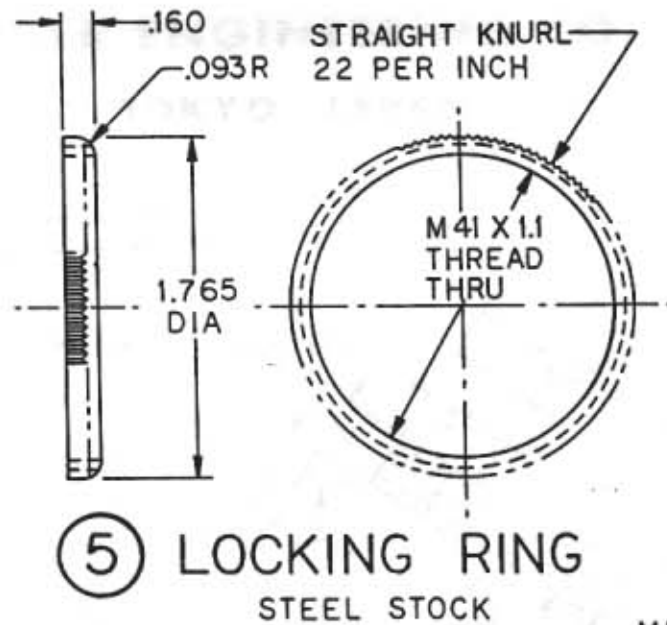
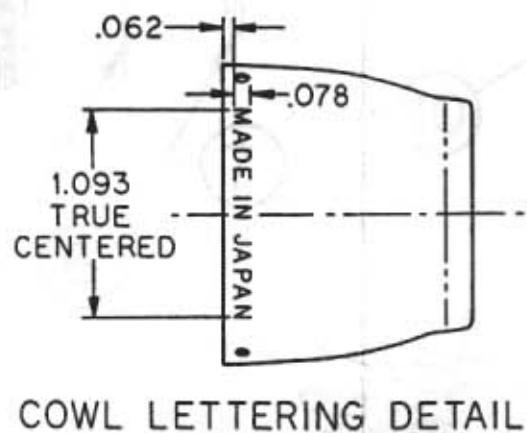


FEATURES NEW 'GLO TYPE' STARTING IMPORTED JET DEVELOPES 2 1/2 POUND THRUST. 18" LONG, WT. 5 1/2 OZ. MAXIMUM DIAMETER IS 1 1/4". VERY POPULAR..

**SPECIFICATIONS**

LENGTH	470 mm
MAX. DIA.	44 mm
MIN. DIA.	22 mm
WEIGHT	200 g
STATIC THRUST	800 g
SPARK PLUG	6 mm



**The TIGER JET has Only 1 Moving Part!**

A precision-built, real pulse jet engine. So small—so good!

Length 18 1/2"  
 Max. Dia. 1 1/4"  
 Min. Dia. 5/8"  
 Weight 7 oz.

Quick Starting

Develops 1 1/2 lbs. of static thrust.

Only \$19<sup>95</sup>



**TIGER ENGINEERING CO.**  
 TOKYO, JAPAN

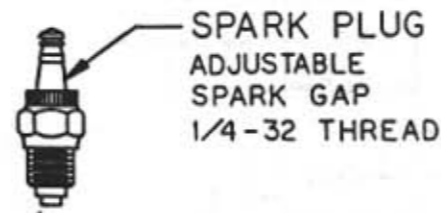
# BASIC DIMENSIONS AND SPECIFICATIONS

# TIGER-JET ENGINE

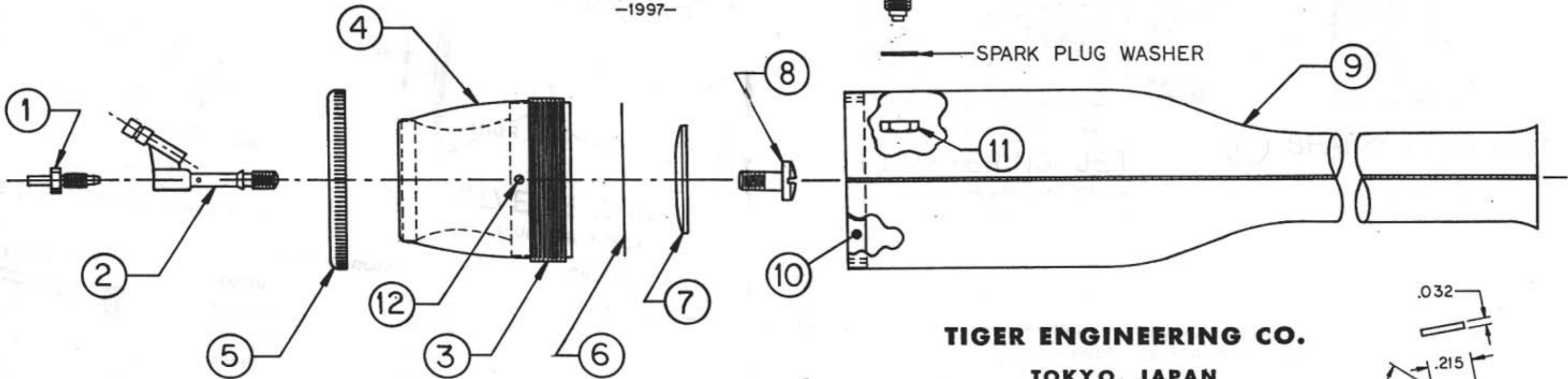
RESEARCHED AND  
DRAWN BY D. E. LAIRD  
-1997-

### NOTE

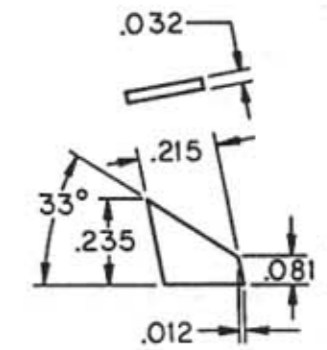
1. SCALE 1/1 UNLESS OTHERWISE NOTED
2. ALL DIMENSIONS IN INCHES
3. ALL THREAD DIMENSIONS IN MILLIMETERS



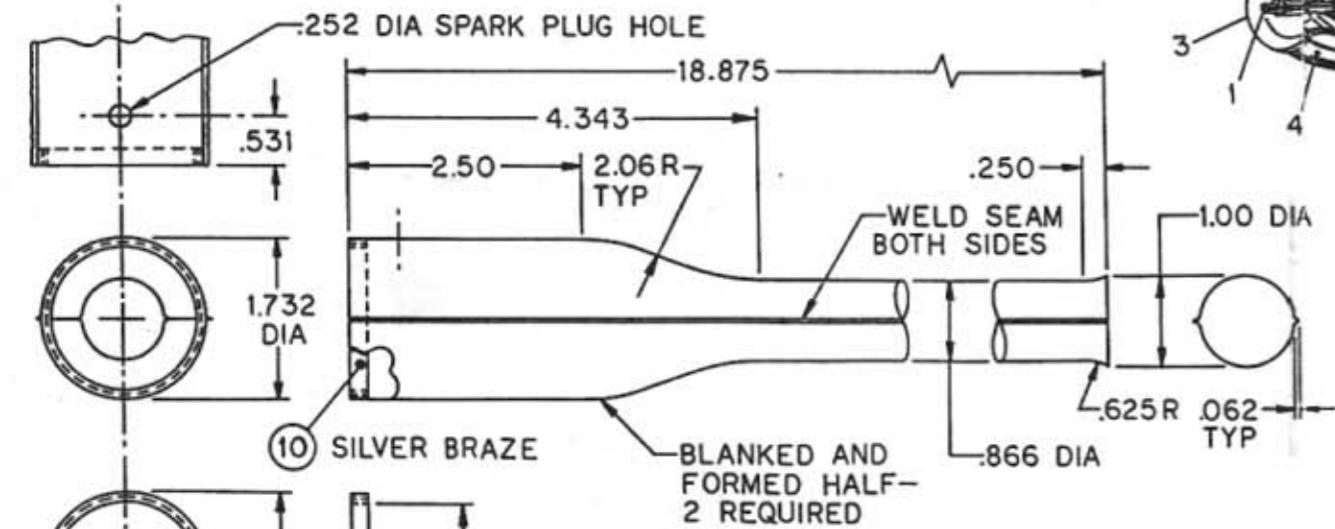
SPARK PLUG WASHER



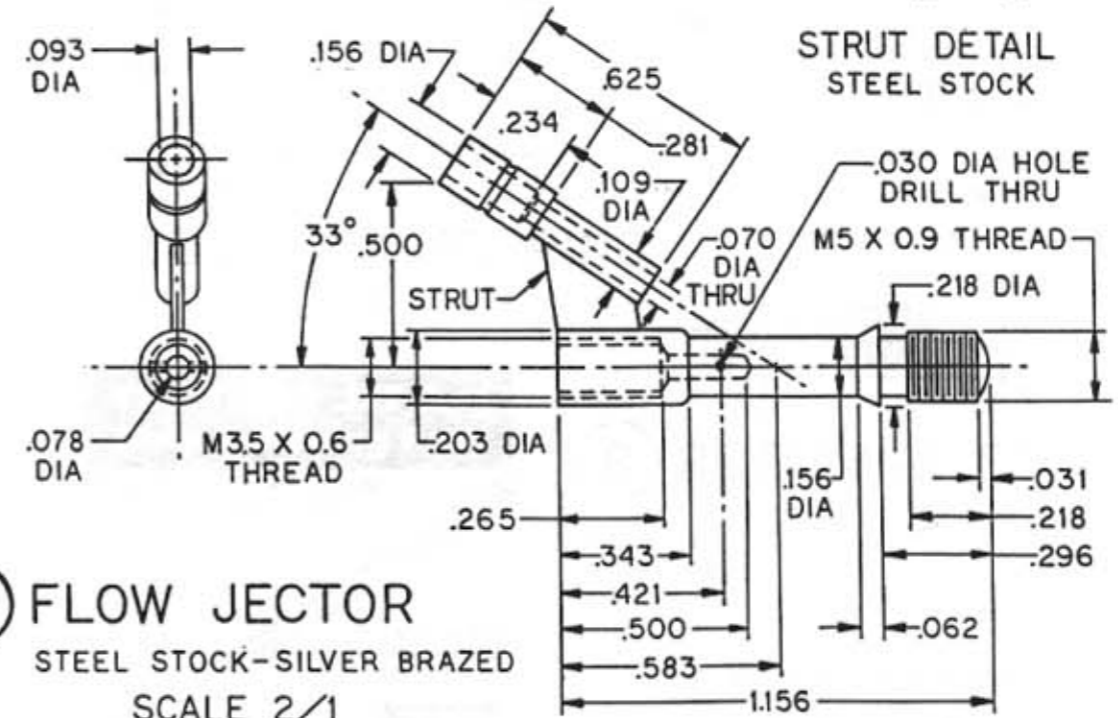
**TIGER ENGINEERING CO.**  
TOKYO, JAPAN



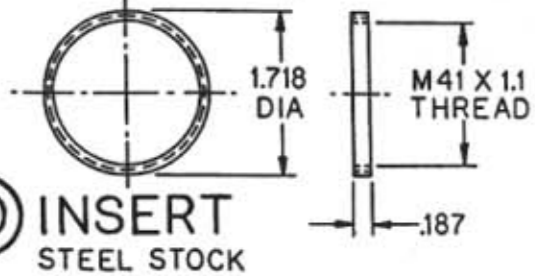
STRUT DETAIL  
STEEL STOCK



**9 COMBUSTION TUBE ASSEMBLY**  
.015 STAINLESS STEEL  
SCALE 1/2



**2 FLOW JECTOR**  
STEEL STOCK-SILVER BRAZED  
SCALE 2/1



**10 INSERT**  
STEEL STOCK